

# INFINITY

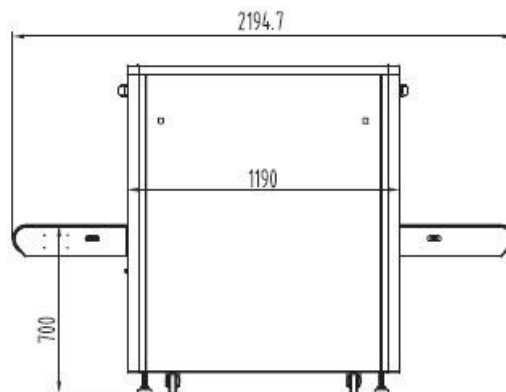
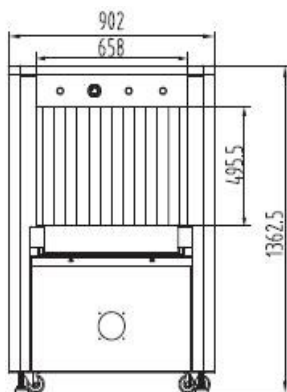
## X-Ray Baggage Scanner INF-XR02D



### Product highlights

- \* Linux operation system
- \* ARM CPU
- \* Digital signal and processor
- \* Continuous hard work for 10000 hours
- \* Energy saving design
- \* High penetration
- \* Good quality images

Physical Specifications	
Unit weight (kgs)	450
Unit size (mm)	2194.7(L)*902(W)*1362.5(H)
after packed in wooden pallet -	
Gross weight (kgs)	650
Packing size	#1: 237*105*166cm
	#2: 86*65*100cm



General Specifications	
Tunnel size(mm)	658(L)*495.5(W)
Conveyor Speed(m/s)	0.2
Conveyor height(mm)	700
Conveyor Max Load(kgs)	150
X ray dose per each inspection	Typical 2.0 $\mu$ Gy, guarantee 2.5 $\mu$ Gy
X ray leakage	Typical 1.0 $\mu$ Gy/h, guarantee 1.5 $\mu$ Gy/h
Penetration	Typical 30mm, guarantee 27mm
Wire Resolution	Typical AWG38, guarantee AWG36
Penetration Resolution	Typical AWG30, guarantee AWG30
Spatial resolution:	Typical dia1.0mm,Vertical: dia1.0mm; Guarantee dia1.3mm,Vertical: dia1.3mm;
Power Consumption	0.5KVA
Noise	< 60 dB
Film Safety	Guarantee ASA/ISO1600 Film

X-ray Generator (single)	
Anode Voltage	140 KV
Anode power	0.5mA
Generate angle	80 degree upward
Generate direct	from bottom to top
Cooling / Duty Cycle	Oil Cooling /100%
Brand	made by ourself

Software System	
Self-test after power on	Self test after power-on, and show the problem ( 1. emergency stop, 2. housing panel is open 3. calibration fail 4. detection system error 5. hard drive is missing)
Image Display	High resolution of 1024 * 1280 pixel;
Image Enhancement	Color/BW, negative, high/low penetration, organic /inorganic Stripping, general enhancement, and pseudo color, etc.
Image Recall	30 images recallable, retrieval
Image Archive	Up to 10,000 images stored automatically, enable transferring to USB disk, and converting to JPG, BMP and other general formats
Real-time Curve	Real-time curve to see if the detection system and other components work well
Others	Fault diagnosis, system time setting, detection blind dots delete, x-ray source setting(analoge or digital), alarm setting, images setting, software register, user management, TIP report, data setting(machine working time, x-ray source working time, baggage counter, etc.)

Operating Environment	
Operation temperature/Humidity	5°C-40°C / 0%-90%(non-condensing)
Storage Temperature/Humidity	-40°C to 70°C / 5%-95%(non-condensing)
Operation Power	220VAC(±10%) 50±3Hz (Optional: 100VAC,110VAC,120VAC,200VAC)

Computer and other	
Monitor	High Resolution Color, LCD Accord, 17inch
Hard Disk	SEAGATE 500G 3.5"
CPU	Cortex A9
Storage	1GB
Main board	IMX6_mainboard-V030, made by Safeway

Compliance	
International	<ul style="list-style-type: none"> <li>* ISO19001 ; ISO14001 ; OHSMS18001 ;</li> <li>* CE</li> <li>* USA FDA</li> <li>* Maximum X-ray leakage of less than 5 μSv/h(0.5mR/h) measured at 5cm from any external surface. (European standard - less than 1 μSv/h(0.1mR/h) measured at 10cm from any external surface)</li> </ul>
National (China)	<ul style="list-style-type: none"> <li>* Health Inspection Report</li> <li>* Computer Software Copyright Registration Certificate</li> <li>* Software Product Registration Certificate</li> <li>* Radiation Safety Certificate from Ministry of Public Security</li> <li>* Quality Certification from Safety and Police Electronic Products Quality Inspection Center</li> <li>* Design patent certification: Patent No. : 201020700245.2 ; Patent No. : 201020700245.8 ; Patent No. : 201020700256.0</li> </ul>