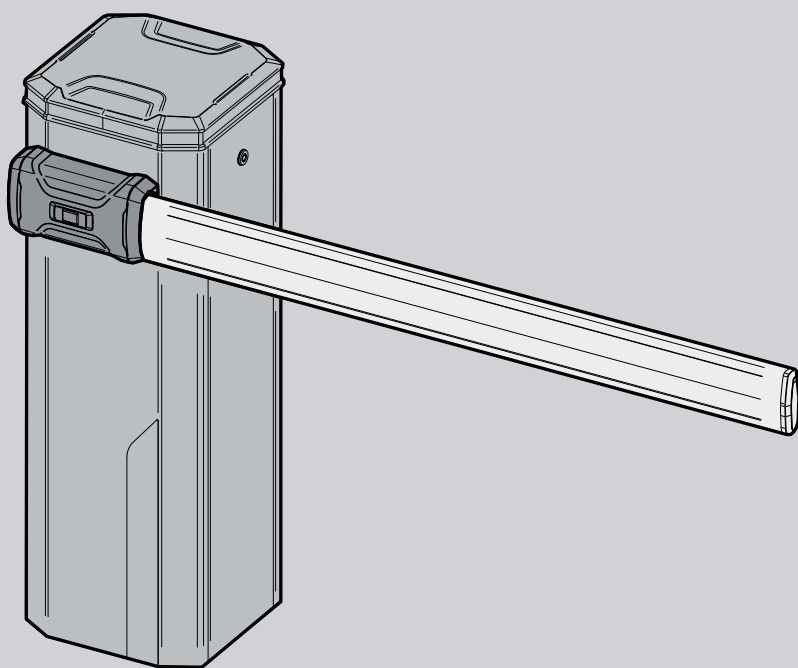




BARRIERA AUTOMATICA  
AUTOMATIC BARRIER  
BARRIÈRE AUTOMATIQUE  
AUTOMATISCHE SCHRANKE  
BARRERA AUTOMÁTICA



ISTRUZIONI D'USO E DI INSTALLAZIONE  
INSTALLATION AND USER'S MANUAL  
INSTRUCTIONS D'UTILISATION ET D'INSTALLATION  
INSTALLATIONS-UND GEBRAUCHSANLEITUNG  
INSTRUCCIONES DE USO Y DE INSTALACION

MAXIMA ULTRA 36  
MAXIMA ULTRA 36

**BFT**

D813758 20398\_01\_16-07-18

**Attenzione!** Leggere attentamente le "Avvertenze" all'interno! **Caution!** Read "Warnings" inside carefully! **Attention!** Veuillez lire attentivement les Avertissements qui se trouvent à l'intérieur!  
**Achtung!** Bitte lesen Sie aufmerksam die „Hinweise“ im Inneren! **¡Atención!** Leer atentamente las "Advertencias" en el interior! **Let op!** Lees de "Waarschuwingen" aan de binnenkant zorgvuldig!



## 1.1 INTRODUCTION



Carefully read the handbook before installing and using the product, and before performing routine or corrective maintenance.



The directions preceded by this symbol contain information of particular importance. Non-compliance with such directions can result in the loss of the contractual warranty.

THE OPERATIONS THAT, IF CARRIED OUT INCORRECTLY, CAN POSE RISKS, ARE INDICATED WITH THE SYMBOLS:



ELECTROCUTION



CRUSHING

The **INSTALLATION USE AND MAINTENANCE** handbook is intended for installers, users and maintenance operators.

The Company is not liable for any damage caused to persons, animals or property caused by use of the product exceeding the limits reported in the attached data sheet or not complying with the intended use.

**ATTENTION! Follow all instructions. An incorrect installation can cause serious injury.**

## 1.2 GENERAL SAFETY

- Dispose of the packaging materials (plastics, cardboard, polystyrene, etc.) as required by the standards in force. Do not leave envelopes in nylon and polystyrene within the reach of children.
- Cut off the power supply before carrying out any work on the equipment. Also disconnect any buffer batteries if present.
- Provide on the mains power supply of the automation a switch or an omnipolar thermal magnetic circuit breaker with contact opening distance equal to or greater than 3.5 mm.
- Check that upstream of the power supply system there is a differential switch with 0.03A threshold.
- The outputs are not of type SELV (safety extra low voltage), therefore no reachable part is allowed.
- Apply all safety devices (photocells, sensitive edges, etc.) necessary to protect the area from crushing, conveying, shearing hazards, according to and in compliance with the relevant directives and technical standards.
- The Company accepts no responsibility in terms of safety and good operation of the automation if components from other manufacturers are used.
- Use only genuine parts for any maintenance or repair.
- Do not carry out any modification to the components of the automation if not expressly authorized by the Company.
- Instruct the user of the system as regards the control systems applied and the execution of the manual opening in the event of an emergency.
- Do not allow persons and children to stay in the operating area of the automation.
- Do not leave remote controls or other control devices within the reach of children to prevent accidental operation of the automation.
- Do not allow children to play with the equipment.
- The equipment can be used by children aged 8 years or over and by people with reduced physical, sensory or mental capacities, or lacking experience or the necessary knowledge, provided they are supervised or after the same have received instructions relating to the safe use of the equipment and to the understanding of the relevant hazards.
- Cleaning and maintenance intended to be performed by the user must not be carried out by children without supervision.
- Everything not expressly provided for in these instructions is not allowed.

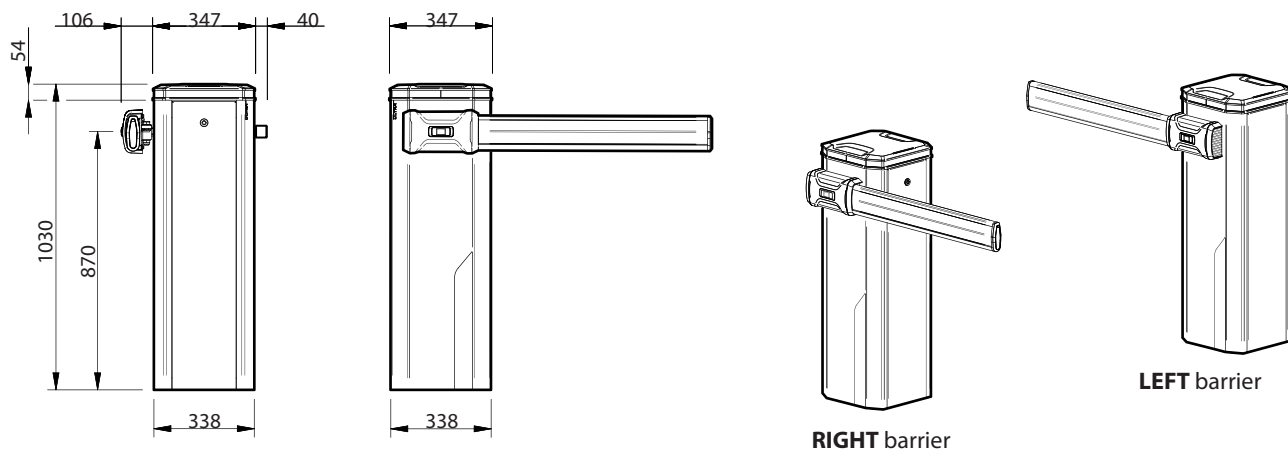
## 1.3 OVERVIEW

The automatic electromechanic barrier was designed to manage openings whose maximum width is 6 meters. It is the ideal solution for vehicle management.

## 1.4 TECHNICAL DATA

Power.....	<b>230Vac/115Vac ±10% 50/60 Hz</b>	Operating temp.....	<b>-40*** +60°C</b>	Sound pressure level at 1 mt.	.....
Motor.....	<b>230Vac 910RPM 0.25 kW</b>	Actuations over 24h	.....	.....	<b>LpA≤70 dB (A)</b>
Absorbed power.....	<b>370 W</b>	.....	<b>20.000 bar</b> length up to 3 m	** The opening times are evaluated starting	from bar in closed position at the beginning of
Control unit.....	<b>CSB-Xtreme</b>	.....	<b>5.000 bar</b> length up to 6 m	the slowdown, at ambient temperature.	
Safety to impact.....	Encoder	Protection class.....	<b>IP 55</b>	*** With built-in heater ON	
Opening time.....	<b>0.7 ÷ 3.9 s **</b>	Net weight.....	<b>69 kg</b>		
Bar length.....	<b>2 ÷ 6 m</b>	Gross weight.....	<b>72 kg</b>		

1.5 OVERALL DIMENSIONS

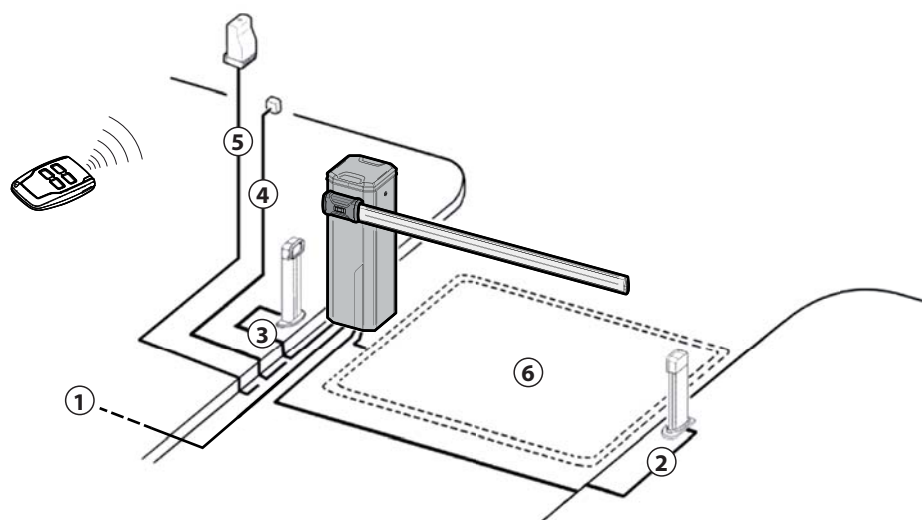


2.1 INSTALLATION EXAMPLE

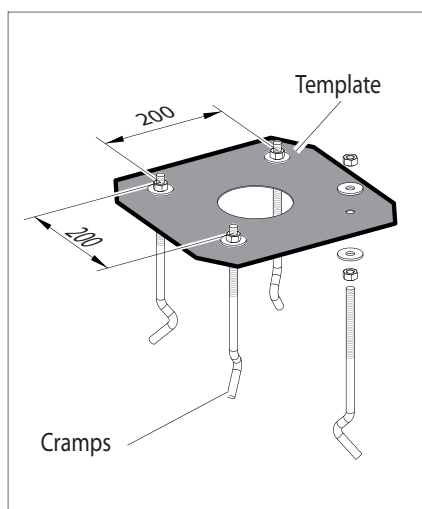
ENGLISH



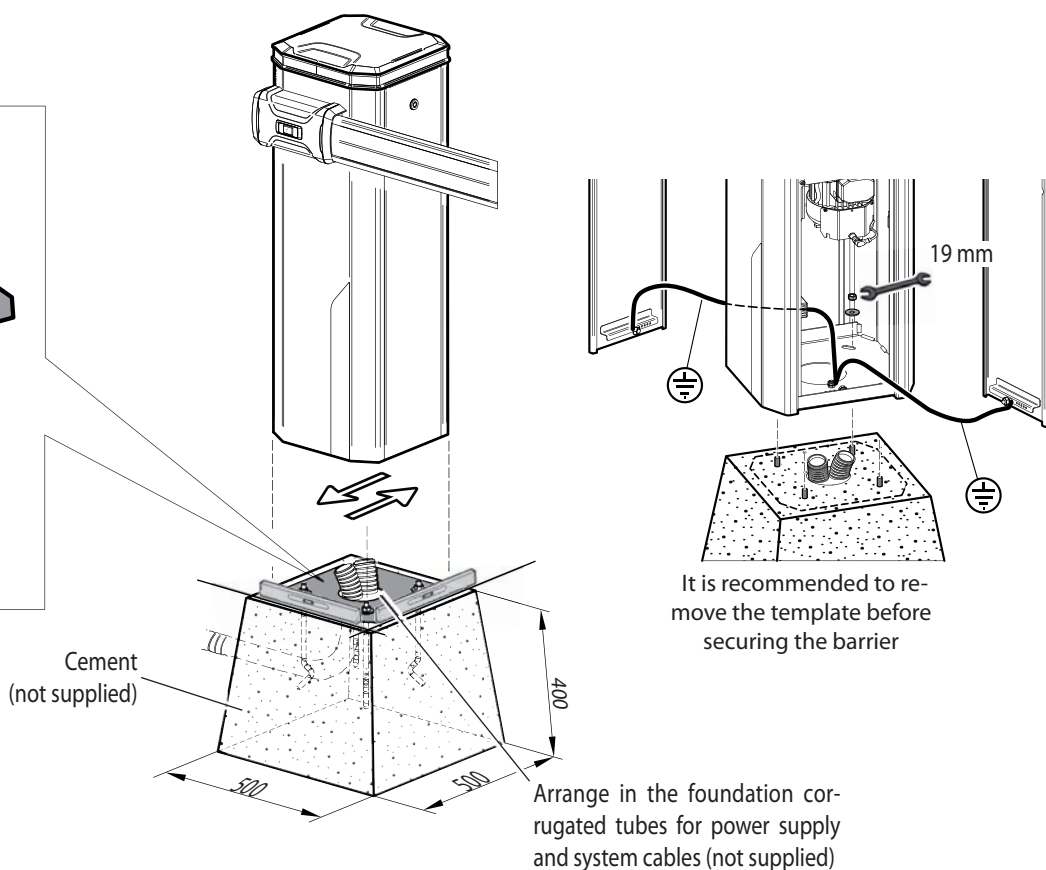
- |                           |                            |
|---------------------------|----------------------------|
| 1) Single-phase line      | (2+G) x 1.5mm <sup>2</sup> |
| 2) Transmitting Photocell | 2 x 0.5 mm <sup>2</sup>    |
| 3) Receiving Photocell    | 4 x 0.5 mm <sup>2</sup>    |
| 4) Key selector switch    | 3 x 0.5 mm <sup>2</sup>    |
| 5) Receiver               | 4 x 0.5 mm <sup>2</sup>    |
| 5) Antenna                | RG58                       |
| 6) Magnetic coil          |                            |



2.2 SECURING THE STRUCTURE



Check the direction of travel indicated on the template, for precise overlapping of the rounded corners of the barrier body

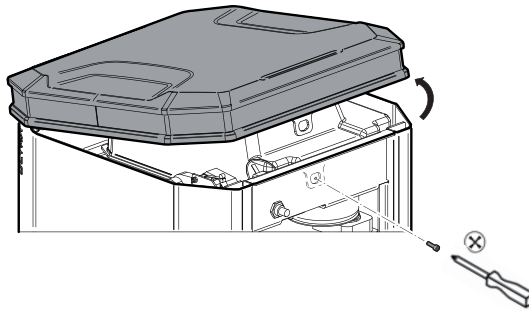


It is recommended to remove the template before securing the barrier

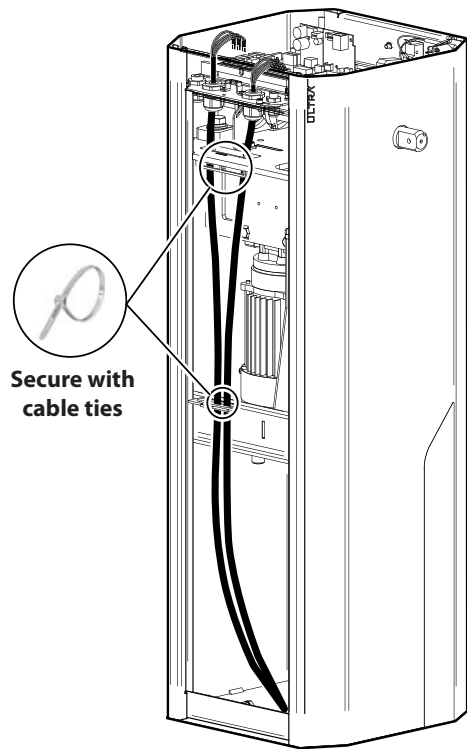
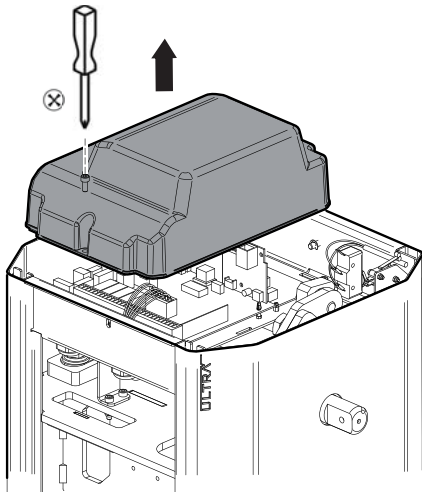
Arrange in the foundation corrugated tubes for power supply and system cables (not supplied)

2.3 ELECTRICAL CONNECTIONS

Open the cover and access inside the barrier to remove of the doors

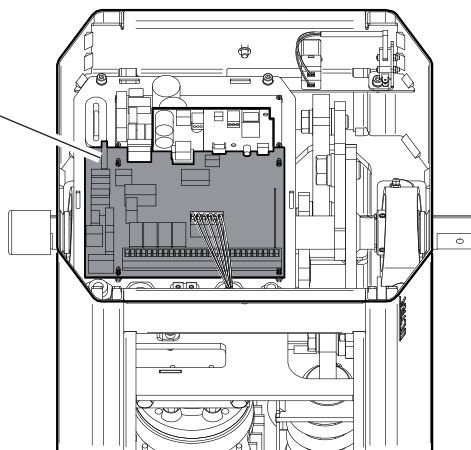


Remove the cover of the internal control unit



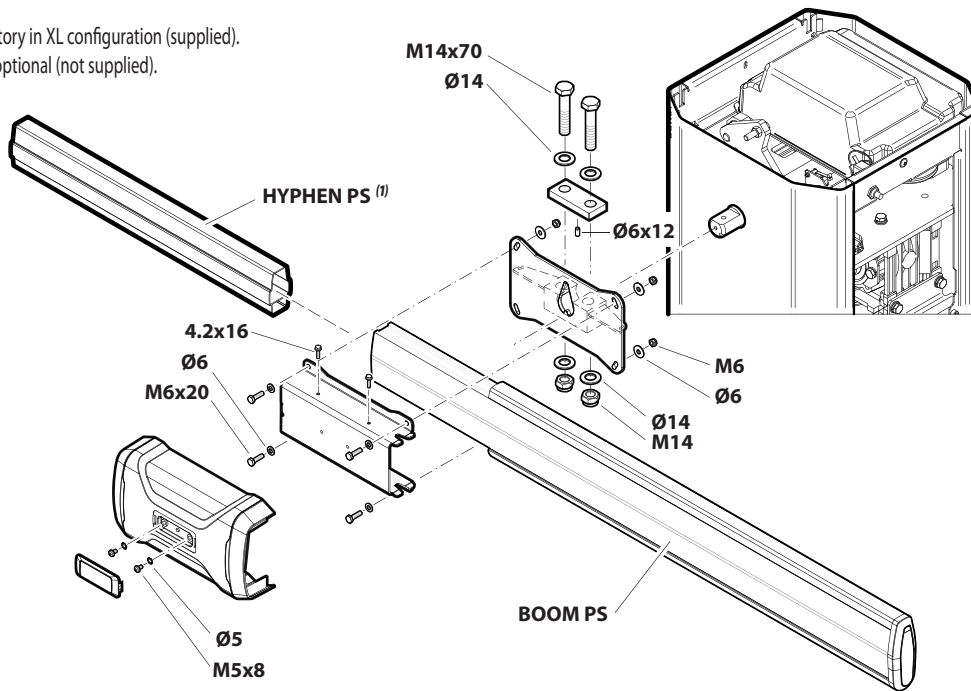
Secure with cable ties

Control board  
**CSB-Xtreme**  
Refer to the use and installation manual of the control unit



2.4 BAR INSTALLATION

<sup>(1)</sup> Installation is mandatory in XL configuration (supplied).  
For STD version, it is optional (not supplied).



ENGLISH

2.5 BAR ALIGNMENT



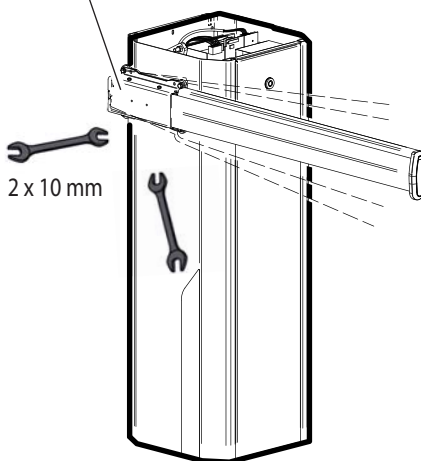
**Electrically connect the control unit (see CSB-Xtreme instructions)**



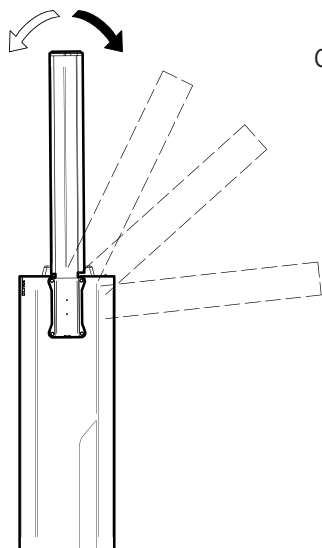
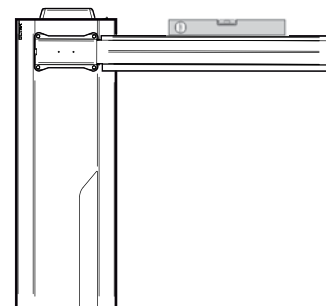
Use the "Start" command to bring the bar in horizontal position

TO ALIGN THE BAR WITH THE ROAD PAVING, OPERATE THE ADJUSTABLE BAR HOLDER.

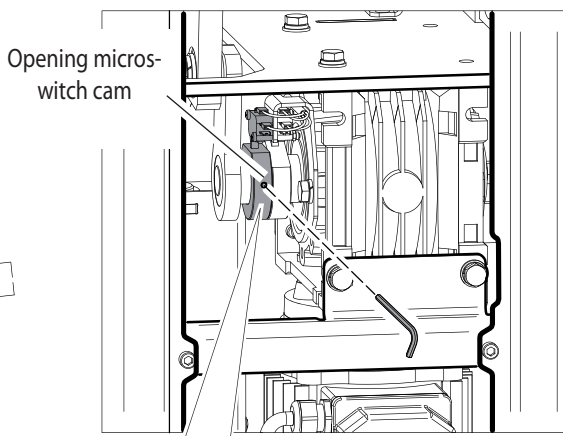
Adjustable bar holder



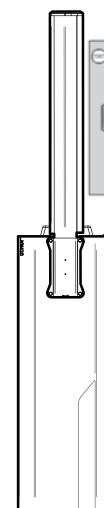
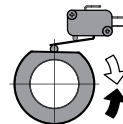
Check that the bar is in horizontal position



Use the "START" command to bring the bar to vertical position



ADJUST THE BAR VERTICALLY OPERATING THE CAM OF THE OPENING LIMIT SWITCH.



Check that the bar is in vertical position

2.6 BAR BALANCING

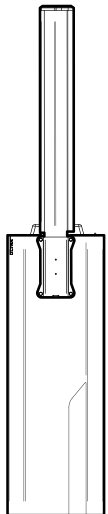
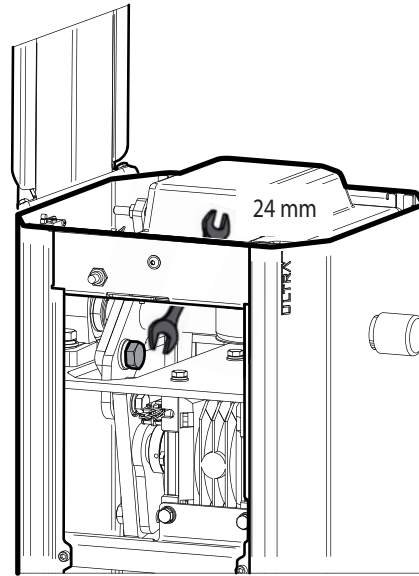


Before performing any task on the equipment, cut off the power supply.

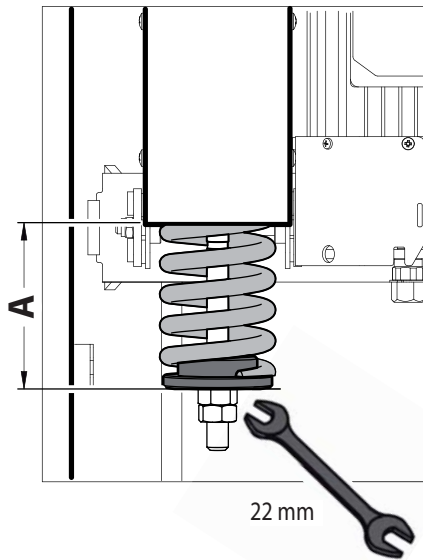


Remove the screw which secures the lever

DO IT ONLY WITH THE BAR MOUNTED AND POSITIONED VERTICALLY

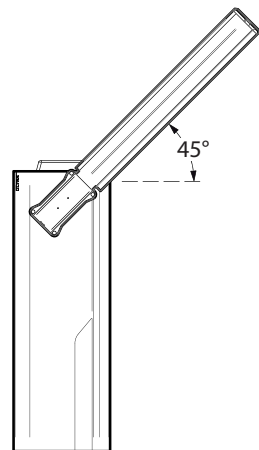


Bring the bar to vertical position



22 mm

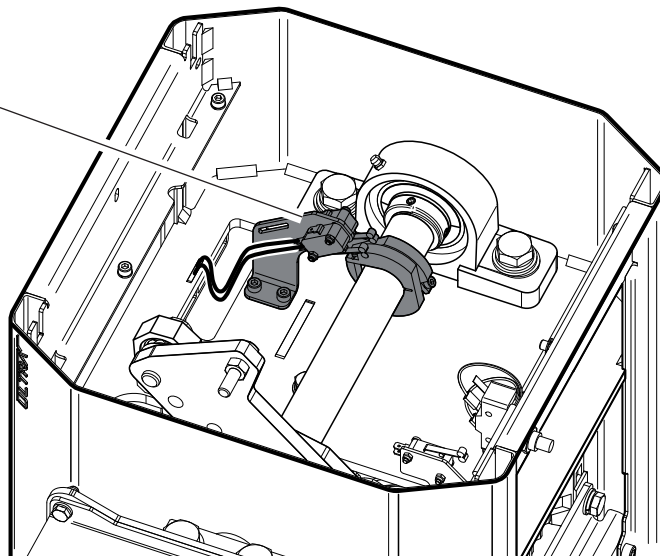
For the value "A" see TAB.1 page 37



Check that the bar is balanced at approximately 45° position. If necessary, adjust again the distance "A".

2.7 OPTIONAL ITEMS

ADDITIONAL LIMIT SWITCHES



2.8 MANUAL OPERATION

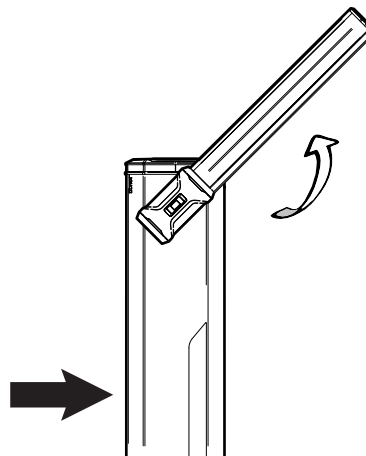
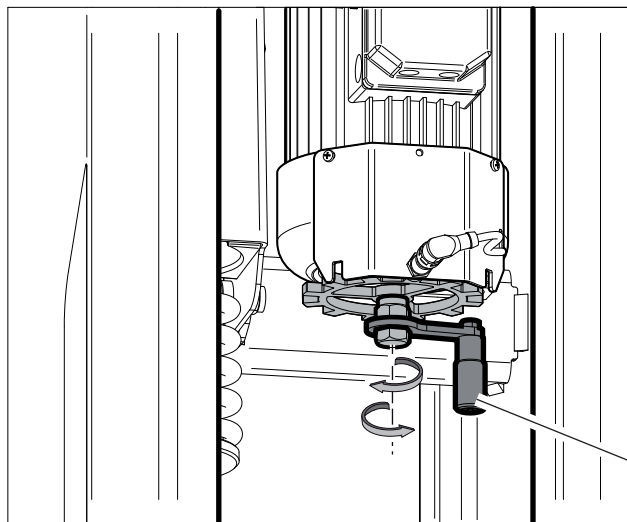


Before performing any task on the equipment, cut off the power supply.



Manual release

DO IT ONLY WHEN THE BAR IS MOUNTED



RELEASE CRANK

### 3.1 GENERAL SAFETY

- The barrier is intended exclusively for vehicle use. Indicate and delimit any walkways using a specific sign.
- Keep children, people and objects out of the operating range of the automation, in particular during operation.
- For safety reasons and in compliance with the regulations in force, it is advisable to use the appropriate control unit.
- The installation must be performed following the prescriptions contained in the attached sheet "GENERAL INSTRUCTIONS FOR SAFETY".
- Electrical connections must be carried out in compliance with the laws in force.
- The installer must instruct the user about the correct operation of the automatism, the manual emergency operation, and the possible risks during operation.
- Perform risk assessment taking appropriate measures to eliminate them as prescribed by the machinery directive 2006/42/EEC, installing the safety devices.
- Before performing any task on the equipment, cut off the power supply using a cut-off switch.
- Cleaning and maintenance intended to be performed by the user must not be carried out by children without supervision

### 3.2 NOTICES

**The good operation of the automation is guaranteed only if the data reported in this manual is respected. The Company is not liable for damage caused by failure to observe the rules of installation and the directions given in this manual.**

**The descriptions and illustrations in this manual are not binding. Leaving unchanged the essential characteristics of the product, the Company reserves the right to make at any time any changes which it considers useful to improve in technical, construction and commercial terms the product, without committing itself to update this publication.**

### 3.3 USE

- Strictly follow the directions contained in the attached sheet "GENERAL INSTRUCTIONS FOR SAFETY".
- **In the event of manual emergency operation, follow the directions outlined in item 2.8.**
- Refer to the use and installation manual of the control unit.

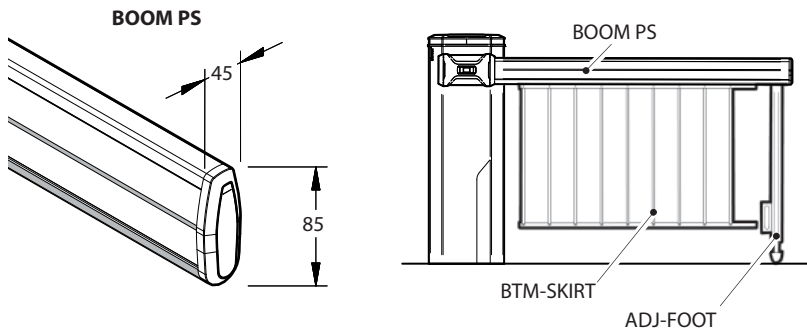
### 3.4 ROUTINE MAINTENANCE (EVERY SIX MONTHS)

- Maintenance must only be performed by qualified personnel.
- Record the on site servicing tasks in the form at page 38.

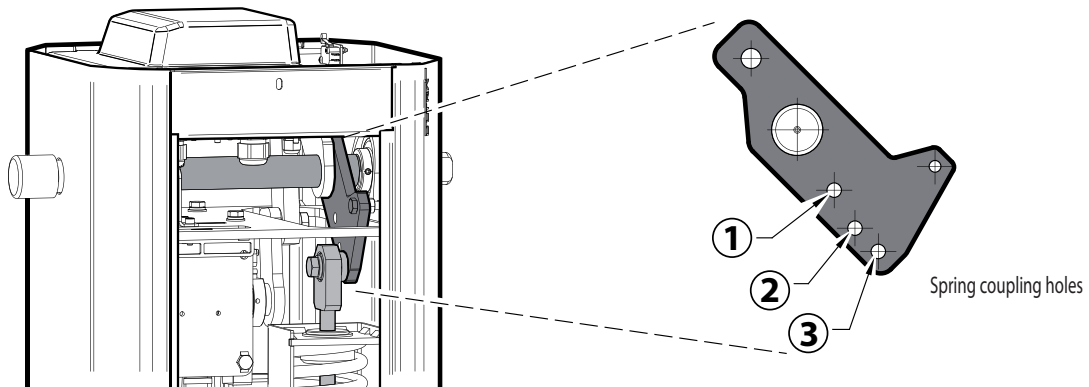
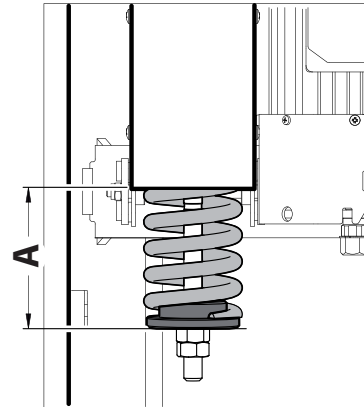
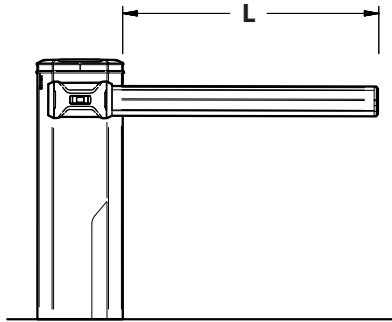
1	Check the condition of the barrier structure.
2	Check the condition of the bar clamping.
3	Check the condition of the spring, of the chain and of its anchors.
4	Check bar balance.
5	Check that at run end the bar is horizontal and/or vertical
6	Check the operation of the control unit and of the safety devices
7	Monitor the manual emergency operation.



**MAXIMA ULTRA 36 .**  
BALANCING THE ARM



Do not weigh the arm down by applying other accessories



**TAB.1**

Springs calibration (APPROXIMATE DATA)

	L	2000	2500	3000	3500	4000	4500	5000	5500	6000
<b>BOOM PS</b>	<b>POSITION</b>	1	1	1	1	1	2	2	3	3
	<b>A (mm)</b>	130	125	110	90	125	115	100	120	105
<b>BOOM PS + ADJ-FOOT</b>	<b>POSITION</b>	/	1	1	2	2	2	3	3	2 <sup>(2)</sup>
	<b>A (mm)</b>	/	110	90	125	115	100	125	110	95 <sup>(2)</sup>
<b>BOOM PS + BTM-SKIRT</b>	<b>POSITION</b>	/	1	1	2	2	3	3	3 <sup>(2)</sup>	3 <sup>(2)</sup>
	<b>A (mm)</b>	/	110	85	120	100	120	105	125 <sup>(2)</sup>	115 <sup>(2)</sup>
<b>BOOM PS + BTM-SKIRT + ADJ-FOOT</b>	<b>POSITION</b>	/	1	2	2	3	3	3	3 <sup>(2)</sup>	3 <sup>(2)</sup>
	<b>A (mm)</b>	/	95	120	105	125	110	95	120 <sup>(2)</sup>	105 <sup>(2)</sup>

The values in the table are the same for the version with lights.

<sup>(2)</sup>Special spring included in version XL. In these configurations, it is mandatory the installation of the bar reinforcement HYPHEN PS (see chap. 2.4 ref. <sup>(1)</sup>)

# REGISTRO DI MANUTENZIONE

MAINTENANCE LOG

REGISTRE DES OPÉRATIONS D'ENTRETIEN

INSTANDHALTUNGSPLAN

RESISTRO DE MANTENIMIENTO

## Dati impianto / Installation data

<b>Installatore</b> Installer	
<b>Cliente</b> Customer	
<b>Matricola</b> Serial number	
<b>Data installazione</b> Installation date	
<b>Data attivazione</b> Activation date	
<b>Luogo</b> Location	

## Dati manutenzione / Maintenance date

<b>Nr.</b>	<b>Data • Date</b>	<b>Descrizione intervento • Intervention description</b>	<b>Firma • Signature</b>
<b>1</b>			Tecnico • Technician
			Cliente • Customer
<b>2</b>			Tecnico • Technician
			Cliente • Customer
<b>3</b>			Tecnico • Technician
			Cliente • Customer
<b>4</b>			Tecnico • Technician
			Cliente • Customer
<b>5</b>			Tecnico • Technician
			Cliente • Customer
<b>6</b>			Tecnico • Technician
			Cliente • Customer
<b>7</b>			Tecnico • Technician
			Cliente • Customer
<b>8</b>			Tecnico • Technician
			Cliente • Customer

<b>Nr.</b>	<b>Data • Date</b>	<b>Descrizione intervento • Intervention description</b>	<b>Firma • Signature</b>
<b>9</b>			Tecnico • Technician
			Cliente • Customer
<b>10</b>			Tecnico • Technician
			Cliente • Customer
<b>11</b>			Tecnico • Technician
			Cliente • Customer
<b>12</b>			Tecnico • Technician
			Cliente • Customer
<b>13</b>			Tecnico • Technician
			Cliente • Customer
<b>14</b>			Tecnico • Technician
			Cliente • Customer
<b>15</b>			Tecnico • Technician
			Cliente • Customer
<b>16</b>			Tecnico • Technician
			Cliente • Customer
<b>17</b>			Tecnico • Technician
			Cliente • Customer
<b>18</b>			Tecnico • Technician
			Cliente • Customer
<b>19</b>			Tecnico • Technician
			Cliente • Customer
<b>20</b>			Tecnico • Technician
			Cliente • Customer
<b>21</b>			Tecnico • Technician
			Cliente • Customer

INSTALLATORE  
INSTALLER  
INSTALLATEUR  
INSTALLATEUR  
INSTALATOR

DATA  
DATE  
DATE  
DATUM  
FECHA

**Bft Spa**  
Via Lago di Vico, 44 ITALY  
36015 Schio (VI)  
T +39 0445 69 65 11  
F +39 0445 69 65 22  
→www.bft-automation.com



SPAIN  
**BFT GROUP ITALIBERICA DE AUTOMATISMOS S.L.**  
08401 Granollers - (Barcelona)  
www.bftautomatismos.com

FRANCE  
**AUTOMATISMES BFT FRANCE**  
69800 Saint Priest  
www.bft-france.com

GERMANY  
**BFT TORANTRIEBSSYSTEME GmbH**  
90522 Oberasbach  
www.bft-torantriebe.de

UNITED KINGDOM  
**BFT AUTOMATION UK LTD**  
Heaton Mersey, Stockport SK4 3GL  
www.bft.co.uk

IRELAND  
**BFT AUTOMATION LTD**  
Dublin 12

BENELUX  
**BFT BENELUX SA**  
1400 Nivelles  
www.bftbenelux.be

POLAND  
**BFT POLSKA SP. Z O.O.**  
05-091 ZĄBKI  
www.bft.pl

CROATIA  
**BFT ADRIA D.O.O.**  
51218 Drazice (Rijeka)  
www.bft.hr

PORTUGAL  
**BFT SA-COMERCIO DE AUTOMATISMOS E MATERIAL DE SEGURANCIA**  
3026-901 Coimbra  
www.bftportugal.com

CZECH REPUBLIC  
**BFT CZ S.R.O.**  
Praha  
www.bft.it

TURKEY  
**BFT OTOMATIK KAPI SISTEMELERI SANAY VE**  
Istanbul  
www.bftotomasyon.com.tr

RUSSIA  
**BFT RUSSIA**  
111020 Moscow  
www.bftrus.ru

AUSTRALIA  
**BFT AUTOMATION AUSTRALIA PTY LTD**  
Wetherill Park (Sydney)  
www.bftaustralia.com.au

U.S.A.  
**BFT USA**  
Boca Raton  
www.bft-usa.com

CHINA  
**BFT CHINA**  
Shanghai 200072  
www.bft-china.cn

UAE  
**BFT Middle East FZCO**  
Dubai