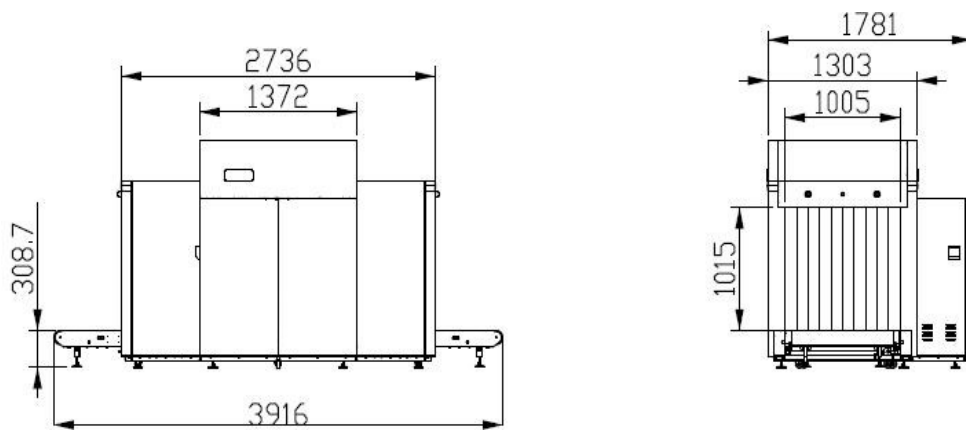


### Product highlights

- \*Two generator, two view perspective
- \*Dual energy imaging
- \* Multilingual operation
- \* Automatic built in test and self diagnosis
- \* Secure access Key
- \* Threat alert and material classification
- \* Auto archiving
- \* Network-Ready
- \* Energy saving design
- \* One key turn off
- \* Drugs and explosives inspection
- \* Indication of the date and time
- \* baggage counter

Physical Specifications	
Unit weight (kgs)	1350
Unit size (mm)	3916(L)x1781(W)x1886(H)
after packed in wooden pallet -	
Gross weight (kgs)	1800
Packing size	#1: 266*200*180cm
	#2: 122*65*100cm



General Specifications	
Tunnel size(mm)	1005(L)x1015(W)
Conveyor Speed(m/s)	0.22
Conveyor height(mm)	309
Conveyor Max Load(kgs)	200
X ray dose per each inspection	Typical 3.5 $\mu$ Gy, guarantee 4.2 $\mu$ Gy
X ray leakage	Typical 1.5 $\mu$ Gy/h, guarantee 2.0 $\mu$ Gy/h
Power Consumption	Max. 1.5KW
Noise	<60 dB
Film Safety	Guarantee ASA/ISO1600 Film

X-ray Generator (TWO)	
Anode Voltage	140KV-160 KV
Anode power	0.4-1.2mA (adjustable)
Generate direct	beam from side & beam from top to bottom
Cooling / Duty Cycle	Oil Cooling /100%
Brand	local made

Performance of X-Ray	
Penetration	Typical 36mm, guarantee 34mm
Wire Resolution	Typical AWG38, guarantee AWG36
Penetration Resolution	Typical AWG30, guarantee AWG30
Spatial resolution:	Typical dia1.3mm,Vertical: dia1.0mm; Guarantee dia1.3mm,Vertical: dia1.3mm;

Performance of X-Ray	
Penetration	Typical 38mm, guarantee 34mm
Wire Resolution	Typical AWG38, guarantee AWG36
Penetration Resolution	Typical AWG32, guarantee AWG32
Spatial resolution:	Typical dia1.0mm,Vertical: dia1.0mm; Guarantee dia1.3mm,Vertical: dia1.3mm;

Image System	
X-ray Sensor	L-Shaped Photodiode Array (multi-energetic) , 12bit Deep
Image Display	High resolution of 1024 * 1280 pixel; Image Grey Level: 4096

Image Enhancement	1-64times enlargement continuity, Color/BW, negative, high/low penetration, organic /inorganic Stripping, general enhancement, and pseudo color, etc.
Image Recall	All preceding images recallable, retrieval
Explosives & Narcotics Detection	Explosives & narcotics alarm and highlight according to atomic number signature
High Density Region Alarm	Impenetrable region alarm and highlight, for possible concealing of threats and contrabands
Threat Image Projection	Inserting fictional, but realistic images of threat items into baggage during screening operation, for maintenance of vigilance, as well as training and assessment of image identification capability
Image Archive	Up to 200,000 images stored automatically, enable transferring to USB disk, and converting to JPG, BMP and other general formats
Miscellaneous Functions	Time/date display, counters, user management, system-on/X-ray-on timers, power on self test, built-in diagnostic facilities, dual-direction scanning, system log, system standby and stimulant training, ADS etc.
Network Applications	Multiple remote applications available based on Ethernet LAN and windows platform, such as image centralized storage and identify, recheck workstation, and network TIP, etc ( Optional) .
Images process	24bit real time processing ,4colors analysis, Images displayed marked date and ID NO ,Count the number of bags

Operating Environment	
Operation temperature/Humidity	0°C-45°C / 5%-95%(non-condensing)
Storage Temperature/Humidity	-40°C to 70°C / 5%-95%(non-condensing)
Operation Power	220VAC(±10%) 50±3Hz (Optional: 100VAC,110VAC,120VAC,200VAC)
UPS	15mins, 30mins, 60mins etc, optional

Computer and other	
Monitor	High Resolution Color, LCD Accord, 19inch
Hard Disk	SEAGATE 500G 3.5"
CPU	G1610 2.6G
Storage	2GB 1600MHz DDR3 Innodisk
Main board	H61 SYM76993VGGA

Compliance	
International	* ISO19001 ; ISO14001 ; OHSMS18001 ; * CE * USA FDA